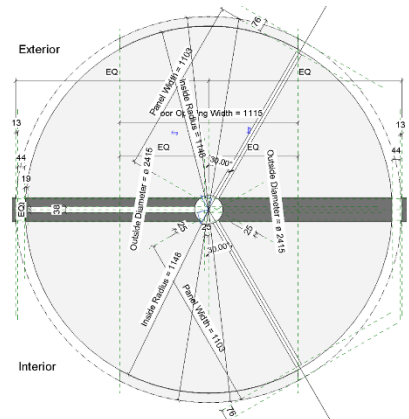
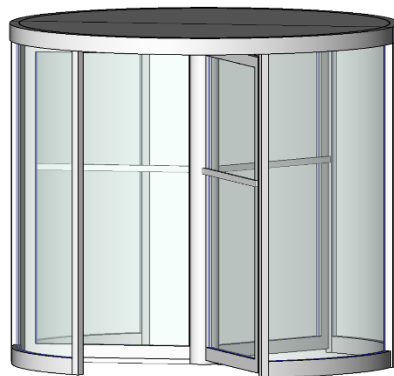
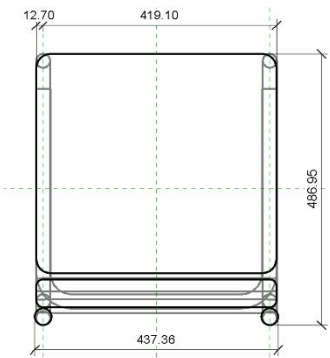


Family Wall, Door, Window, Floor, Column,  
Structural Column, Structural Framing,  
Railing, Furniture, Planting

2019.00



**Douglas Fir**  
4000 mm



**Colorado Spruce**  
4000 mm



**Chinese Juniper**  
4000 mm



5000





2018

2017

2016

2015

2014

2013

Bridges & Parametric Buildings

[User's Manual](#)

[Revit Building Interface](#)

[Family](#)

[Dynamo](#)

[Material](#)

## Overview

Welcome to Revit Parametric Families for ICDAS Buildings.

This manual has been created during creation of buildings model in our website.

The manual contains an overview of using Revit parametric families in ICDAS automatic model creation. The manual highlights numerous types of walls, doors, windows, floors, columns, structural columns, structural framing, railings, furniture and planting which are stored in Revit family \*.rfa files in 2019 and back to 2014. The figures are outlined for libraries Denmark, Australia and Singapore. Note that the other countries have the same family files like Denmark.

All figures are outlined in 3D view and Floor Plan Ref. Level with parametric dimensions. Doors and windows are further figured out side by side to highlight the styles among many possible combinations. There are links to locations of family files in C:\Drive and material folders. By using this manual, the users will save time to find and select the family files in the project.

Additionally, there are four appendixes for wall, door, window and roof. The manual will guide you step-by-step in how to edit the layers of a wall, insert door in a curtain wall, change materials of a window and create roof footprint using lines offset.

This manual is originally used in ICDAS automatic model creation where all family types are numbered. The user just need to enter the type number for the selected wall(s), door(s), window(s), floor(s), column(s), beam(s) and the roof in Excel input file. Then ICDAS Add-Ins in Revit will automate the model with the selected family types. The users can also create their own family, assign a number, and use it in Excel input for automatic model creation.

The authors have more than 7 years' experiences in Revit files structure. The manual is updating during subscription of ICDAS FRBL, not only for the Revit tools but also the construction cases we face.

ICDAS.

## Contents

Overview .....	3
Contents .....	4
System family Wall .....	7
Wall Types Revit and 3ds Max rendering.....	10
Type properties > Edit Assembly > Material Browser .....	15
(=51) 213 Ydervæg-538mm-Betonelement-Iso-Tegl - Type 1 .....	16
(=52) 213 Ydervæg-538mm-Betonelement-Iso-Tegl - Type 2 .....	20
(=53) 211 Ydervæg-250mm-Betonelement.....	21
(=54) 214 Ydervæg-443mm-Træelement .....	22
(=55) 221 Indervæg-100mm-Letbeton .....	26
(=56) 221 Indervæg-200mm-Betonelement .....	27
System family Floor .....	28
ICDAS 2017.00.rvt Loaded Families .....	32
Initialize Wall Door Window Floor.....	33
Wall.....	33
Door .....	38
Structural Column .....	38
Roof.....	39
Family Door .....	40
Family files location (C:\ProgramData\Autodesk).....	42
RVT 2017 .....	42
RVT 2016 .....	43
RVT 2015 & RVT 2014.....	44
Door material image in *Materials\Textures\1\Mats .....	45
Size of project file depended on loaded family files .....	45
Edit Type of door in project file (dimension & material) .....	45
Denmark Doors 2015 & 2014.....	46
Singapore 2015 & 2014.....	77
Australia Doors 2015 & 2014 .....	82
Denmark Doors 2016 .....	83
Australia Doors 2016 .....	133
Singapore Doors 2016.....	143
Denmark Door 2017 .....	162
Family Window .....	168
Family files location (C:\ProgramData\Autodesk).....	169
RVT 2017, 2016, 2015, 2014 .....	169
Window material image in *Materials\Textures\3\Mats .....	169

<b>ICDAS Black &amp; White Door &amp; Windows .....</b>	<b>203</b>
ICDAS Black Doors .....	208
(=20982) Singapore ExtDbf (4) 1810 x 2110mm ICDAS Black .....	209
ICDAS White Windows .....	209
ICDAS Black Windows .....	209
<b>Family Column .....</b>	<b>210</b>
Column types and dimensions (C:\ProgramData\Autodesk) .....	211
<b>Family Specialty Equipment &gt; Domestic .....</b>	<b>216</b>
M_Dryer.rfa modify material in project file .....	217
<b>Family Structural Column .....</b>	<b>218</b>
Structural Column types and dimensions (C:\ProgramData\Autodesk) .....	219
<b>Family Structural Framing .....</b>	<b>223</b>
Structural Framing types and dimensions (C:\ProgramData\Autodesk) .....	224
<b>Family Railing .....</b>	<b>227</b>
Railing types and dimensions (C:\ProgramData\Autodesk) .....	228
<b>Family Structural Trusses .....</b>	<b>229</b>
<b>Family Entourage PEOPLE CAR .....</b>	<b>231</b>
1. M_RPC Beetle.rfa .....	232
2. M_RPC Chair.rfa .....	233
3. M_RPC Female.rfa .....	234
4. M_RPC Male.rfa .....	235
<b>Family Furniture .....</b>	<b>236</b>
Bath Tub .....	237
Bath & WC .....	238
Bartop .....	239
Beds .....	240
Seating .....	244
Storage .....	259
Tables .....	266
TV .....	278
<b>Family Planting .....</b>	<b>280</b>
0. Overview .....	280
1. M_RPC Plant - Tropical .....	282
2. M_RPC Shrub .....	283
3. M_RPC Tree - Conifer .....	290
4. M_RPC Tree - Deciduous .....	292

This manual is only for subscription users with password. Any copy or reproduction are not allowed by ICDAS.

5. M_RPC Tree - Fall .....	295
6. M_RPC Tree - Tropical .....	298
<b>Appendix Wall .....</b>	<b>301</b>
Edit layers for an exterior wall for a new WallType .....	302
<b>Appendix Door .....</b>	<b>307</b>
Insert doors in single panel of Curtain wall .....	308
Insert doors in two panels of Curtain wall .....	311
<b>Appendix Window .....</b>	<b>315</b>
Fit a window to curtain wall .....	316
<b>Appendix Roof.....</b>	<b>323</b>
Create Roof Footprint with line offset (wall overhang) .....	324
<b>Appendix Family Download .....</b>	<b>328</b>
bimbandit.com .....	328
piastender.dk .....	329

Please register a subscription for the full contents of manual.